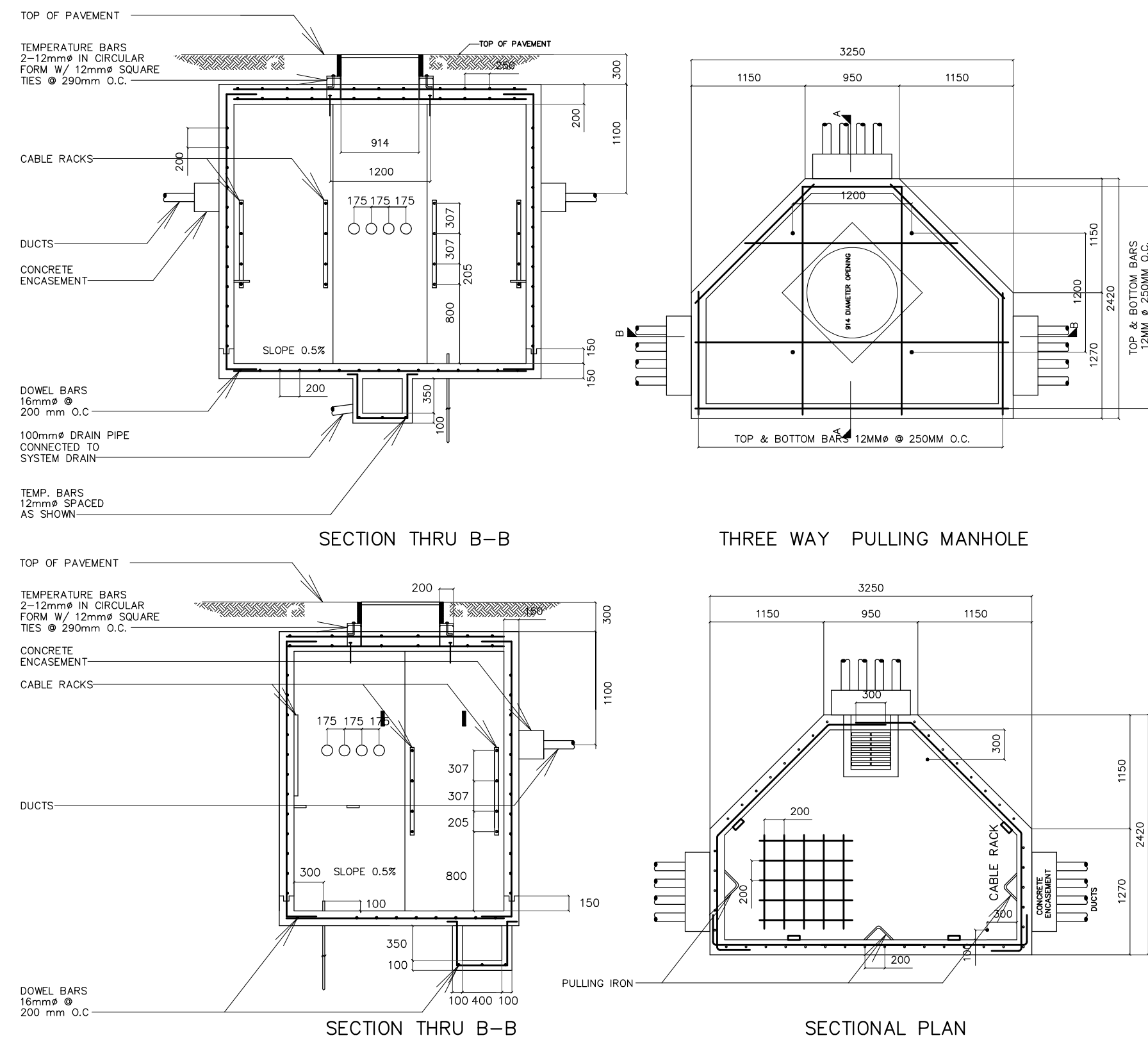


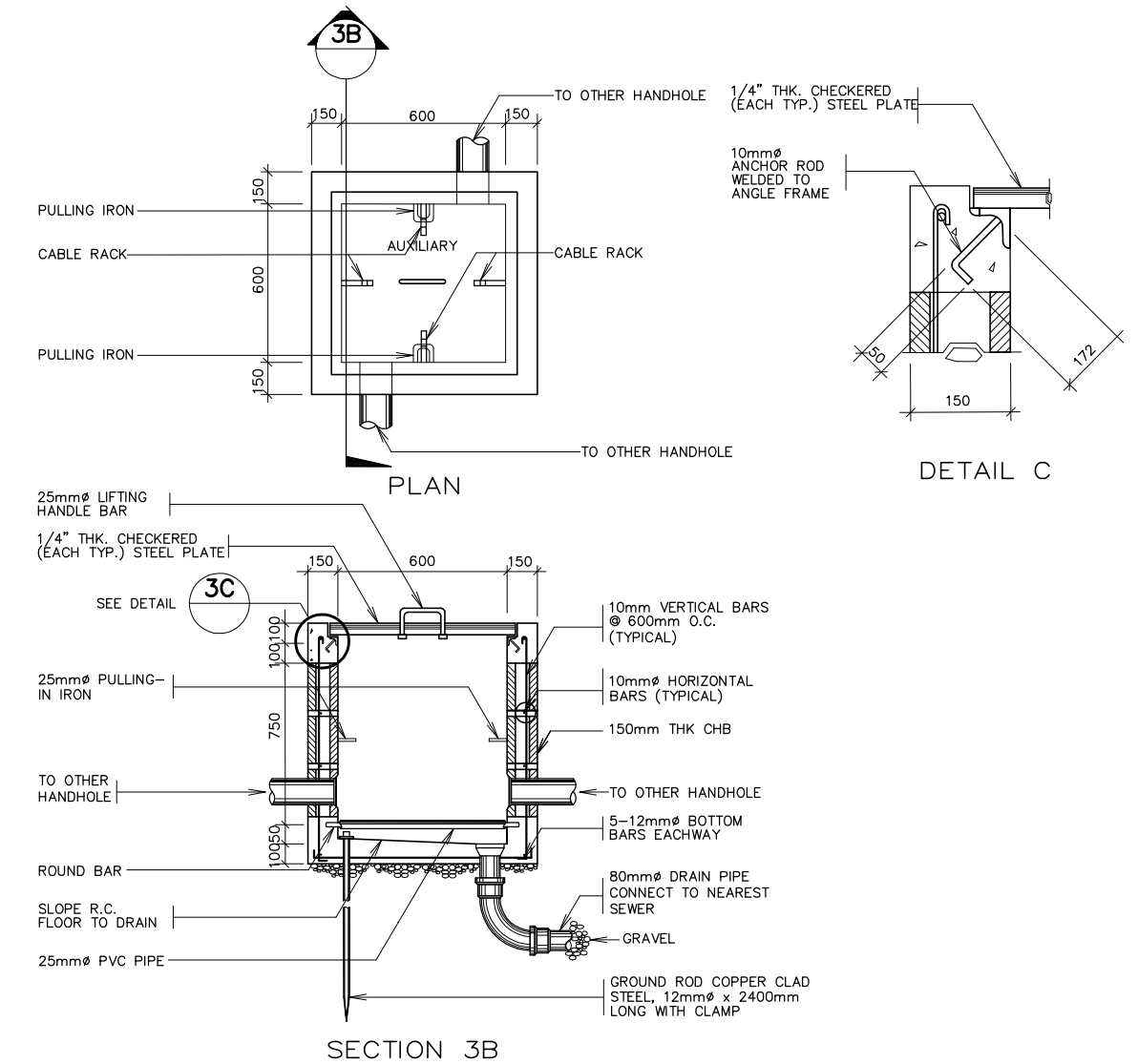
1 CONCRETE PEDESTAL AND CONCRETE ENCASEMENT DUCT DETAILS
E-4 SCALE NTS



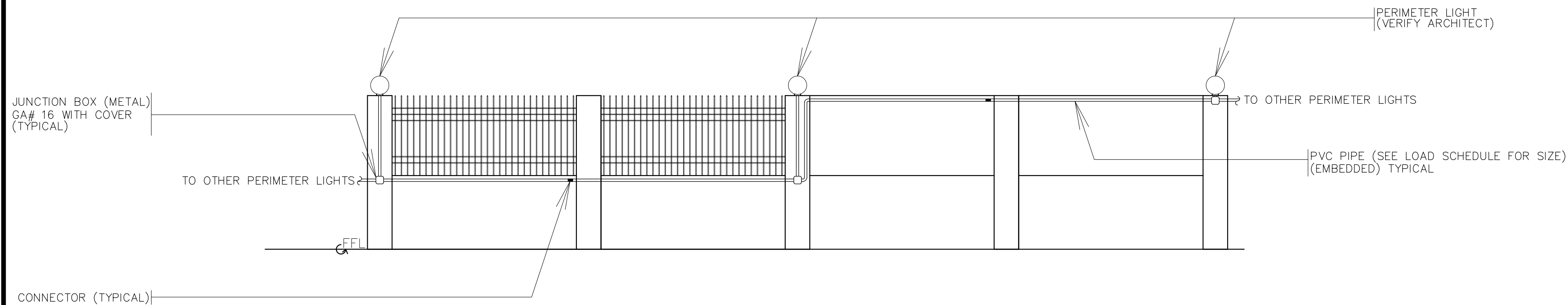
2 THREE-WAY MAHNOLE DETAILS
E-4 SCALE NTS

NOTES:

1. MANHOLE DETAILS IS FOR REFERENCE ONLY AND SHALL BE SUBJECT TO REVIEW AND APPROVAL BY THE SERVICE PROVIDER.
2. ANY ALTERATIONS IN THE DESIGN SCHEME MUST STRICTLY COMPLY WITH THE LOCAL POWER UTILITY BY LAWS, AND UTILITY COMPANY CONCERNED.



3 AUXILIARY HANDHOLE DETAILS
E-4 SCALE NTS



3 PERIMETER LIGHTS CONDUIT RUN DETAILS
E-4 SCALE NTS

FOR CONSTRUCTION

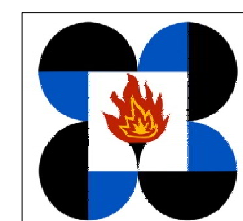
MELISA R. RAMIREZ
 AUTHORIZED MANAGER OFFICER DATE



Legazpi Premium Development Corporation

ENGINEER:
ARMANDO S. CALAGUAS
 PROFESSIONAL ELECTRICAL ENGINEER
 PRC NO.: 2375 ISSUED ON: 09-24-90
 PTR NO.: 2353110 ISSUED ON: 01-03-17
 TIN NO.: 146-594-412 ISSUED AT: QUEZON CITY

PROJECT TITLE:
SITE DEVELOPMENT
 (Development of Campus Master Plan, Construction of Road Network)
 LOCATION: MIMAROPA REGION CAMPUS ODIONGAN, ROMBLON



REPUBLIC OF THE PHILIPPINES
 DEPARTMENT OF SCIENCE AND TECHNOLOGY
 PHILIPPINE SCIENCE HIGH SCHOOL
 MIMAROPA REGION CAMPUS
 BRGY. RIZAL, ODIONGAN, ROMBLON

APPROVED:
EDWARD C. ALBARACIN
 CAMPUS DIRECTOR

DESIGNED BY: ACE 05/19/17
 ENCODED BY: ACE 05/19/17
 CHECKED BY: ASC 05/19/17
 APPROVED BY: ASC 05/19/17
 DATE ISSUED: 06/01/17
 SCALE: AS SHOWN
 PROJECT NO.: RBR_SD122916-RBRA-PSM-D-004

SHEET CONTENTS
 AS SHOWN
 SHEET NO.
E
 THIS DOCUMENT IS AN INSTRUMENT OF PROFESSIONAL SERVICE AND AS SUCH MAY NOT BE REPRODUCED IN WHOLE OR IN PART WITHOUT THE WRITTEN CONSENT OF THE ARCHITECT. -R.A. 545
4 5